

1-200 Quarter-Turn Pr20.1 L18-60

Tool operable, Latch and unlatch indicators, Compression

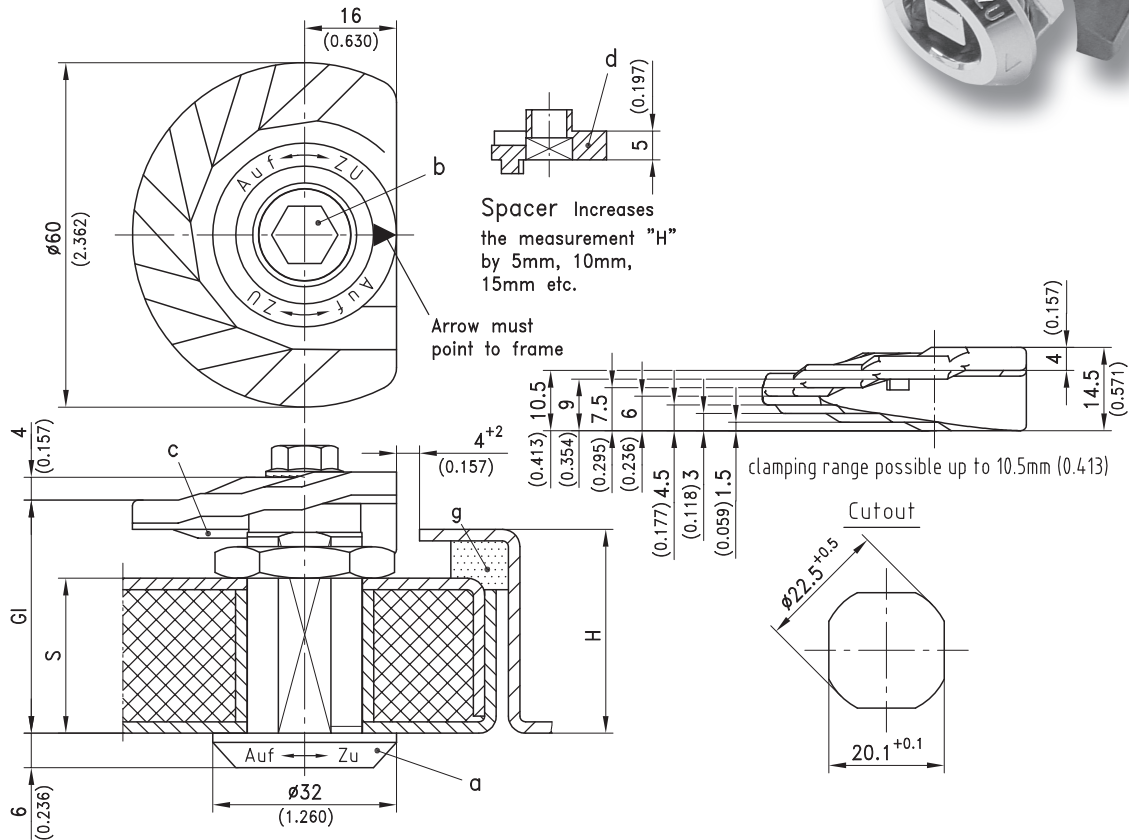


Product Notes:

- To latch - turn clockwise
- To unlatch - turn counter clockwise
- Stepped cam
- When installed, the arrow (see drawing) must point to the frame
- Marking of housing - "Open / Closed"
- Up to 10.5 compression

Material:

- Housing:** Zinc Die, Chrome Plated
- Nut:** Steel, Zinc Plated
- Adapter:** Zinc Die, Untreated
- Insert:** Zinc Die, Chrome Plated
- Stepped cam:** Zinc Die, Untreated
- Spacer:** Zinc Die, Untreated
- Black version on request**



a) Housing with nut							See Page
Part No.	200-9038	200-9039	200-9040	200-9041	200-9042	200-9047	
GI	18	30	36	40	50	60	
S max.	8	20	26	30	40	50	
H	18	30	36	40	50	60	
	-10	-10	-10	-10	-10	-10	
a1) Adapter	not required	200-9031	200-9032	200-9033	200-9034	200-9035	
The adapter is optional							01.51
b) Inserts							01.98, 01.99
c) Stepped cam with stop	200-2904	200-2904	200-2904	200-2904	200-2904	200-2904	
Stepped cam without stop	200-2903	200-2903	200-2903	200-2903	200-2903	200-2903	
Optional:							
d) Spacer	200-2803.30-00005						
Water and dust tight according to IP65 by:							
e) O-ring 12x2mm	200-1001						
e1) O-ring 9x3.5mm	GI from 30mm			839-3771.00-00935			
f) Flat external seal	200-0901	200-0901	200-0901	200-0901	200-0901	200-0901	
g) Sealing profile							05.22